

RA-3100 Series Remote Power Controller, Rated up to 70 Amps, 115/208 VAC

Product Facts

- 3PST NO
- Gasket sealed



Performance Data

Electrical Characteristics

Contact Arrangement — 3PST NO

Rated Operating Voltage — 115/208 VAC, 400-610 Hz, 3 phase

Resistive Rating — 70 Amp

Motor Rating — 70 Amp

Rupture Rating — 1,000 Amp

Coil Characteristics

Duty Cycle — Continuous, economizing

Operating Voltage, Max. — 32 Vdc

Operating Voltage @ 85°C, Min. — 18 Vdc

Trip Time @ 70 Amp Current

+10% — 3.0 to 5.0 sec

Trip Time @ 87 Amp Current +10%

— 2.0 to 2.9sec

Trip Time @ 111 Amp Current

+10% — 1.0 to 1.8 sec

Trip Time @ 200 Amp Current

+10% — 0.25 to 0.5 sec

General Characteristics

Operating Temperature Range — -55°C to +85°C

Altitude — 50,000 ft max.

Weight, Max. — 1.55 lb

Sinusoidal Vibration —

.038 DA from 10 to 50 Hz

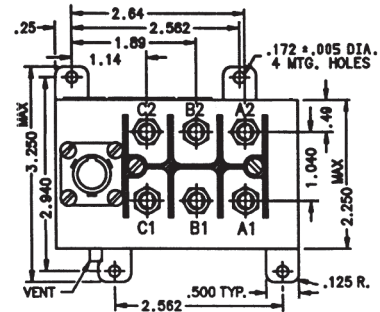
10g from 55 to 2000 Hz

Shock, Max. — 9 G max for 10-12 ms

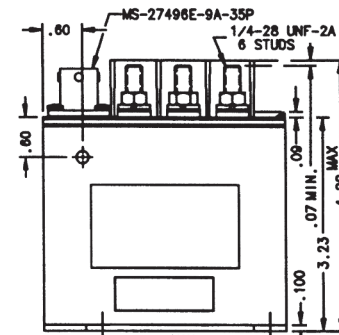
Load, Min. — 50,000 cycles

Operating Cycles (Life)

Mechanical, Min. — 100,000 cycles

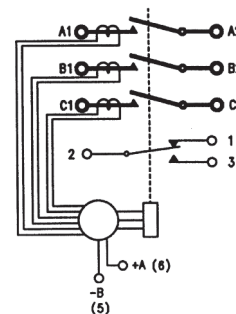


NOTE: FOR PROPER OPERATION, PIN A REQUIRES 18 TO 28 VDC



Mounting Style A

Circuit Configurations (Consult factory for other available circuit configurations)



Circuit Configuration 1

For factory-direct application assistance, phone 419-521-9500 or fax 419-526-2749.

HARTMAN Part Number	Construction Type	Mounting Style	Coil Type	Circuit Config.	TE Part Number
RA-3100F	Gasket/Vented	A	Continuous, Economizing	1	1616133-2